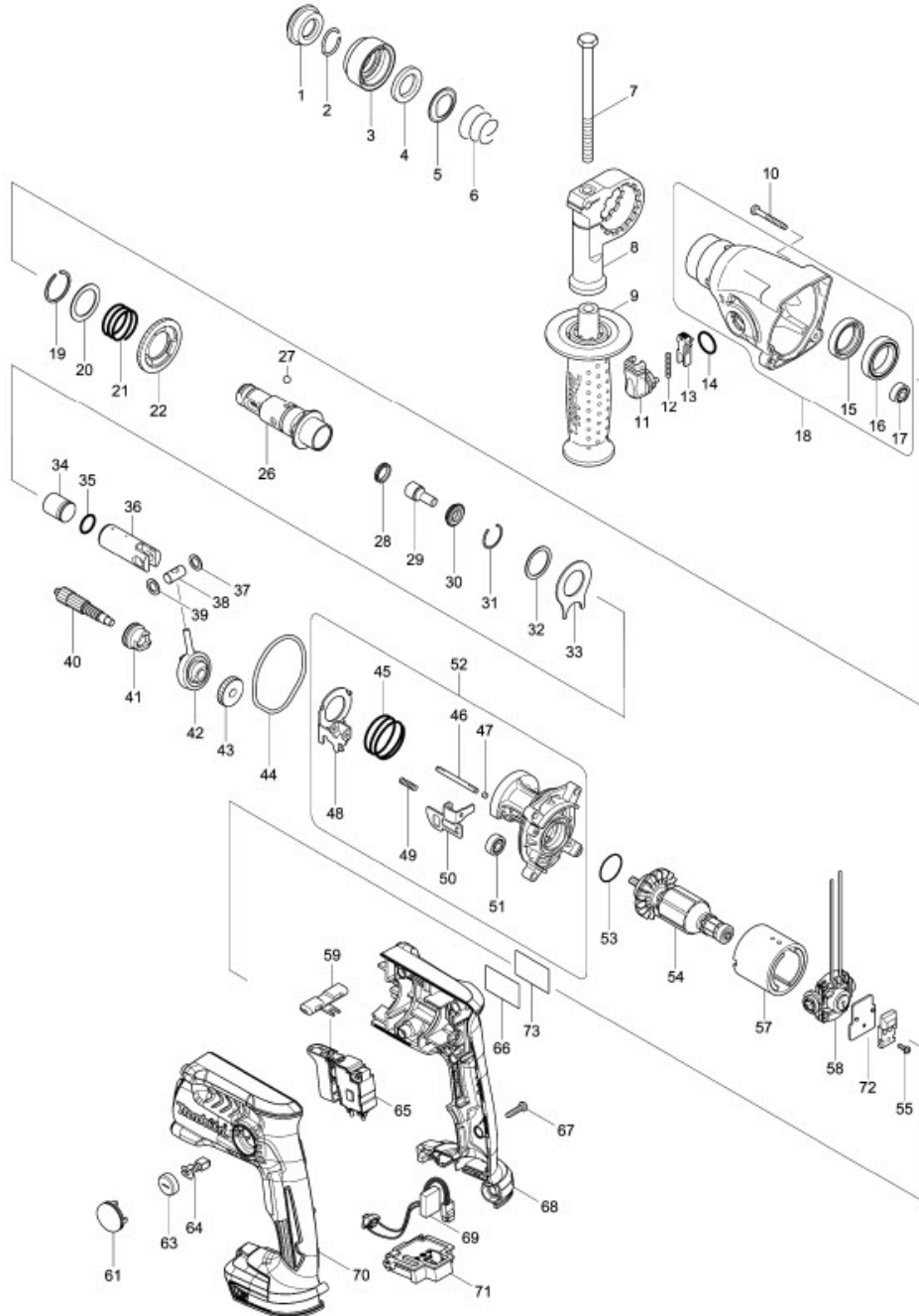


Part Diagram

Model No.DHR165 CORDLESS ROTARY HAMMER 16MM



Item	Sub	Parts No.	Parts Description	Qty
1		286263-4	CAP 35	1
2		233940-9	RING SPRING 19	1
3		419220-9	CHUCK COVER	1
4		257241-1	RING 21	1
5		345187-4	GUIDE WASHER	1
6		233916-6	CONICAL COMP. SPRING 21-29	1
7		921923-8	HEX. BOLT M8X120	1
8		417911-6	GRIP BASE	1
9		158057-6	GRIP 36 COMPLETE	1
10		266053-1	TAPPING SCREW 4X35	4
11		162242-5	CHANGE LEVER COMPLETE	1
12		233459-8	COMPRESSION SPRING 3	1
13		455413-4	LOCK BUTTON	1
14		213278-8	O RING 17	1
15		213535-4	OIL SEAL 25	1
16		211375-4	BALL BEARING 6805LLB	1
17		211012-0	BALL BEARING 606ZZ	1
18		154840-9	GEAR HOUSING COMPLETE	1
18	D10		INC. 15-17	
19		961135-1	RETAINING(EXT) WR-25	1
20		267304-5	FLAT WASHER 25	1
21		233457-2	COMPRESSION SPRING 25	1
22		331707-0	SPUR GEAR 46	1
26		154843-3	TOOL HOLDER COMPLETE	1
27		216022-2	STEEL BALL 7.0	1
28		213183-9	X RING 13	1
29		324611-0	IMPACT BOLT	1
30		257275-4	RING 11	1
31		233942-5	RING SPRING 22	1
32		267175-0	FLAT WASHER 24	1
33		345681-6	JOINT PLATE	1
34		324613-6	STRIKER	1
35		213182-1	O RING 14	1
36		331708-8	PISTON CYLINDER	1
37		267130-2	FLAT WASHER 9	1
38		324612-8	PISTON JOINT	1
39		267130-2	FLAT WASHER 9	1
40		227152-4	SPUR GEAR 10	1
41		331706-2	CLUTCH CAM	1
42		219019-0	SWASH BEARING 9	1
43		226623-8	HELICAL GEAR 22	1
44		423346-1	SEAL RING	1
45		233458-0	COMPRESSION SPRING 32	1
46		268147-8	PIN 4	1
47		443123-5	FELT 4X3	1
48		345645-0	CHANGE PLATE	1
49		233460-3	COMPRESSION SPRING 3	1
50		345654-9	STOPPER PLATE	1
51		211012-0	BALL BEARING 606ZZ	1
52		154841-7	INNER HOUSING COMPLETE	1
52	D10		INC. 45-51	
53		213953-6	O RING 24	1
54		619334-6	ARMATURE	1
55		911011-9	PAN HEAD SCREW M3X10	1
57		638446-6	YOKE UNIT	1
58		632D96-3	ENDBELL COMPLETE	1
59		419457-8	F/R CHANGE LEVER	1
61		424128-4	HOLDER CAP COVER	2

Item	Sub	Parts No.	Parts Description	Qty
63		643929-3	BRUSH HOLDER CAP	2
64		191971-3	CARBON BRUSH CB-430	1
65		632D94-7	SWITCH UNIT	1
66		850K43-6	DHR165 NAME PLATE	1
67		265995-6	TAPPING SCREW 4X18	7
68		183A41-8	HOUSING SET	1
68	C10	263005-3	RUBBER PIN 6	2
68	D10		INC. 70	
69		620367-6	LIGHT CIRCUIT	1
70		183A41-8	HOUSING SET	1
70	C10	263005-3	RUBBER PIN 6	2
70	D10		INC. 68	
71		644808-8	TERMINAL	1
72		689098-6	HEAT SINK	1
73		805F02-5	CLEAR LABEL	1
A01		415486-9	DEPTH GAUGE	1
A02		***DC18RC	DC18RC FAST CHARGER	1
A03B		194204-5	BATTERY BL1830 SET	2
A03C		197265-4	BATTERY BL1840B SET	2
A03-1B		194204-5	BATTERY BL1830 SET	2
A03-1C		197265-4	BATTERY BL1840B SET	2
A03-2B		197600-6	BATTERY BL1830B SET	2
A03-3B		197600-6	BATTERY BL1830B SET	2
A04		450128-8	BATTERY COVER	1
A05		821626-3	PLASTIC CARRYING CASE	1
A05B	C10	162315-4	LATCH	2
B01		195208-0	HAMMER SERVICE KIT SET	1
B01	C10	183477-5	HAMMER GREASE 30G	1
B01	D10		INC. 1,28,31,35,44,64	